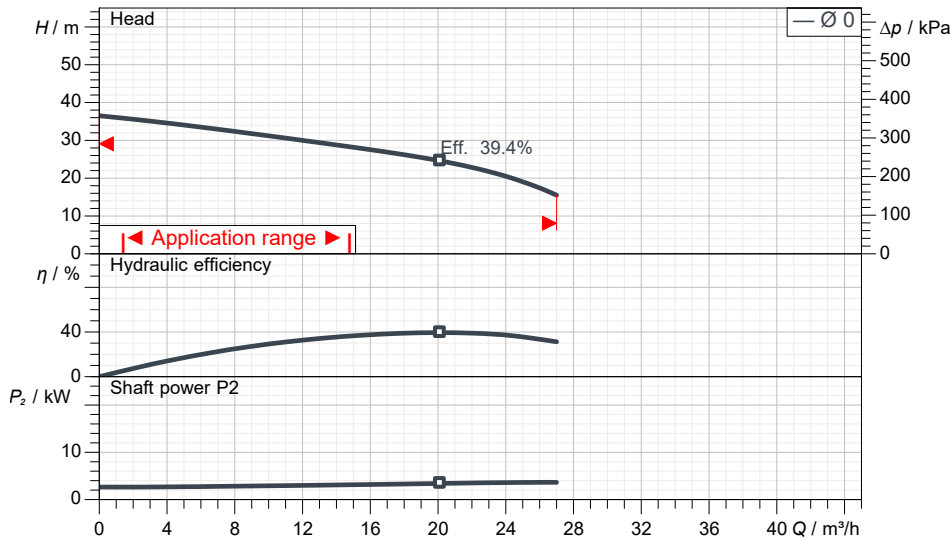


**KTZ23.7-54 380-415V**
**Technical specification**
**3~ 50 Hz**

**Pump**

Series	KTZ
Pump name	KTZ23.7-54 380-415V
Standard	

**Motor data**

Motor	JT1-2-3.7-KZI 400V D UL
Rated voltage	380 V
Frequency	50 Hz
Motor phases	3~
Number of poles	2
Rated power P2	3.70 kW
Rated current	8.4 A
rpm	2888 1/min
Rated torque	12.2 Nm
Start*	Direct starting

Degree of protection	IP 68
Insulation class	F
Protection device	
Type of oil	Turbine oil VG32
Oil amount	1.25 l

**Hydraulic**

Free passage	
Impeller type	Semi-open impeller
Max. hydraulic efficiency	39.4 %
Discharge	50 mm
Curve tolerance	UNI EN ISO 9906:2012

**Operating limits (standard pumps)**

Max. ambient temperature	40 °C
Max. density treated liquid	1030 kg/m³
pH treated liquid	5-9
Max. start per hour (equally distributed)	6
Wet/dry use	WET
Operating mode	S1

**Construction materials**

Motor enclosure	Gray Iron Casting 150
Shaft	420J2 Stainless Steel
Pump Casing	Gray Iron Casting 200
Impeller	High chromium casting
Suction Cover	Ductile Iron Casting 500
Painting	
Screws	304 Stainless Steel
Gaskets	NBR

**Construction features**

Power cable1	4C*2mm2
Power cable2	N/A
Sheath	2PNCT.F
Control cable	N/A
Sheath	N/A
Cable length	8 m
Mechanical seals	H-25T
Weight*	60 kg

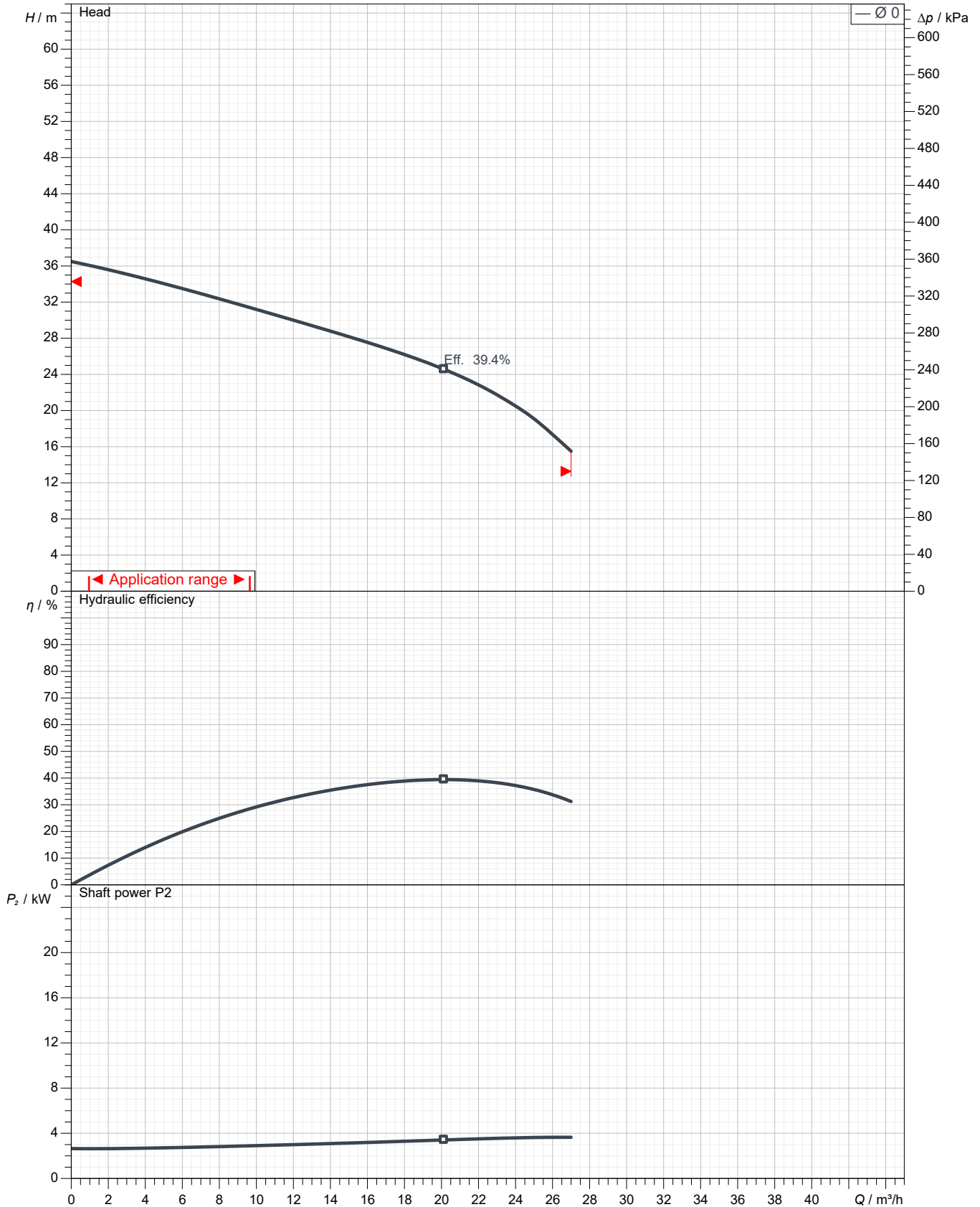
\* cable and fixing system excluded

**Monitoring features**

Monitoring option	
leaking sensor	-
monitoring equipment	-

**KTZ23.7-54 380-415V**
**Pump performance curves**
**3 ~ 50 Hz**

<b>Discharge</b> 50 mm	<b>Head</b>	<b>Capacity</b>	<b>Rated power</b> 3.7 kW	<b>Voltage</b> 380 V	<b>Current</b> 8.4 A	<b>rpm</b> 2888 1/min
---------------------------	-------------	-----------------	------------------------------	-------------------------	-------------------------	--------------------------

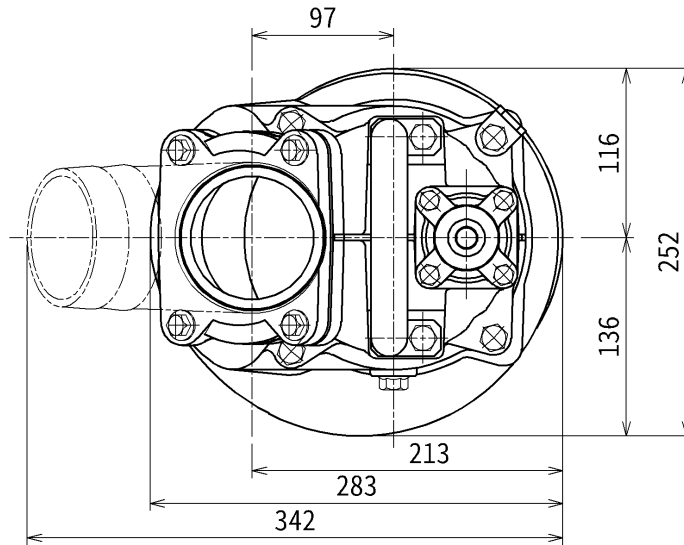


Characteristic curves according to UNI EN ISO 9906:2012 for pumps with standard material combination  
 P2 < 10 kW: paragraph 4.4.2  
 10 kW < P2 < 100 kW: Grade 3B  
 P2 > 100 kW: Grade 2B

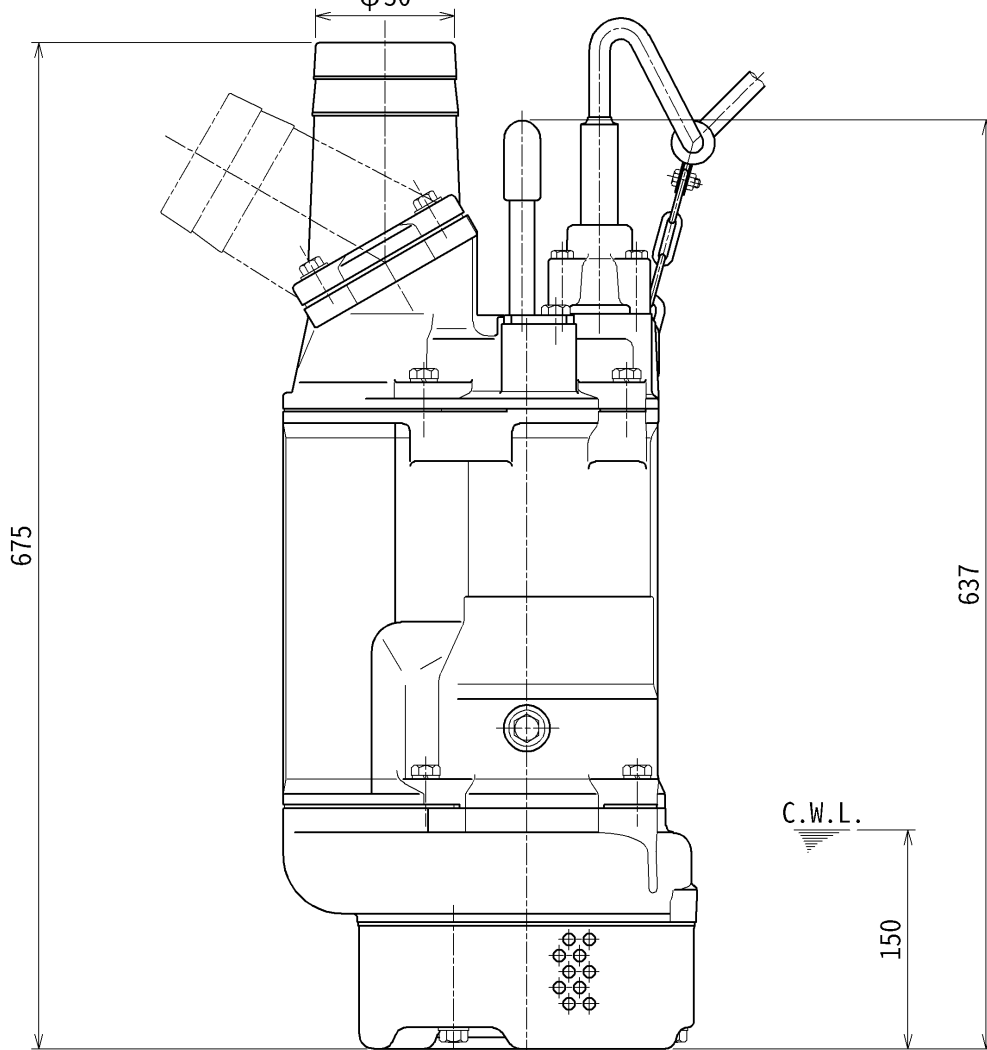
DIMENSION DRAWING		No.	No. A-28340-25X
TYPE	Submersible Dewatering Pump	MODEL	KTZ23.7 -54

Approximate Weight(※)
60kg

※excluding cable

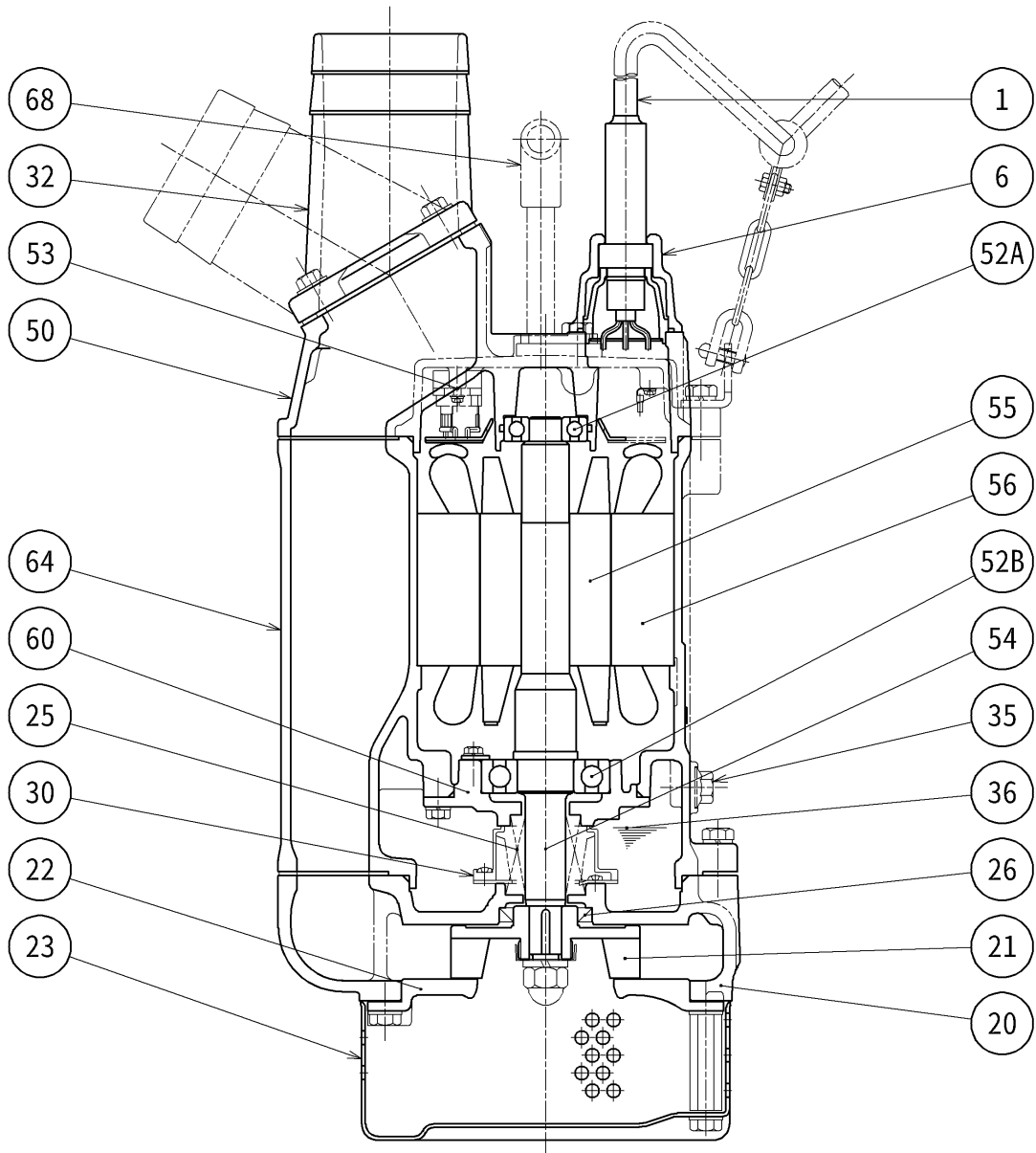


Nominal Dia.  
φ 50



C.W.L.:Continuous running Water Level

SECTIONAL DRAWING		No.	No. A-28342-25X
TYPE	Submersible Dewatering Pump	MODEL	KTZ23.7 -54



REQ. SPECIFICATION	

No.	DESCRIPTION	Q'TY	MATERIAL / NOTE	No.	DESCRIPTION	Q'TY	MATERIAL / NOTE
1	Cabtyre Cable	1	Chloroprene Sheath	50	Motor Bracket	1	Gray Iron Casting 200
6	Stuffing Box	1	Gray Iron Casting 200	52A	Upper Bearing	1	6304ZZC3
20	Pump Casing	1	Gray Iron Casting 200	52B	Lower Bearing	1	6307ZZC3
21	Impeller	1	Chromium Iron Casting	53	Motor Protector	1	
22	Suction Cover	1	Ductile Iron Casting 500	54	Shaft	1	420J2 Stainless Steel
23	Strainer Stand	1	Steel Sheet	55	Rotor	1	
25	Mechanical Seal	1	H-25T	56	Stator	1	
26	Oil Seal	1	TC40588	60	Bearing Housing	1	Gray Iron Casting 150
30	Oil Lifter	1	Plastic	64	Motor Frame	1	Gray Iron Casting 150
32	Hose Coupling	1	Aluminium Die Casting 12	68	Handle	1	Carbon Steel Pipe & Structure Steel
35	Oil Plug	1	304 Stainless Steel				
36	Lubricant		Turbine Oil(ISO VG32)				